

## SPECIFICATIONS

<b>Voltage</b>	24VDC
<b>Wattage</b>	6 in: 2.4W 12 in: 4.8W 24 in: 9.6W 36 in: 14.4W 48 in: 19.2W
<b>Luminous Efficacy<sup>2</sup></b>	(lm/w): 63 - 68
<b>Premium Diffused</b>	Yes
<b>Max. Run<sup>3</sup></b>	20 ft.
<b>Dimensions</b>	0.75 x 0.59 x 6, 12, 24, 36, or 48 in. (W x H x L)
<b>Field Cuttable</b>	No
<b>LED Chip Beam Angle</b>	120
<b>Dimmable</b>	Yes
<b>Environment<sup>4</sup></b>	Indoor / Damp Location
<b>Certification</b>	UL Listed 2108
<b>Warranty</b>	5-Year Warranty

ITEM #	CCT (KELVIN)	CRI	LUMENS <sup>1</sup>
DI-24V-TR30-6-**	 3000K	90+	150
DI-24V-TR30-12-**	 3000K	90+	320
DI-24V-TR30SF-12-**	 3000K	90+	320
DI-24V-TR30-24-**	 3000K	90+	650
DI-24V-TR30-36-**	 3000K	90+	900
DI-24V-TR30-48-**	 3000K	90+	1250
DI-24V-TR40-6-**	 4000K	90+	150
DI-24V-TR40-12-**	 4000K	90+	320
DI-24V-TR40SF-12-**	 4000K	90+	320
DI-24V-TR40-24-**	 4000K	90+	650
DI-24V-TR40-36-**	 4000K	90+	900
DI-24V-TR40-48-**	 4000K	90+	1250

\*\* Substitute with **SV** for Silver, **BL** for Black fixtures Ex: DI-24V-TR30-6-SV = 24 volt TRU-LINK<sup>®</sup> Bar, 3000K CCT, 6 inches, with a Silver housing.  
Footnotes 1 & 2 see page 2.

Visit the product page at [www.DiodeLED.com](http://www.DiodeLED.com) for installation guides, .IES files, voltage drop charts, and LM-79 reports.



Item #

Project

## SPECIFICATIONS CONTINUED

- LED Chip: 2835
- Included Items: (2) flat mounting clips
- Connections<sup>3</sup>: 12 in. Female DC TRU-LINK<sup>®</sup> Connector. TRU-LINK<sup>®</sup> End-to-End Connector. Leads: 22/4 AWG
- Ambient Temp<sup>6</sup>: -4 ~ 122°F (-20 ~ 50°C)
- Operating Temp<sup>7</sup>: -4 ~ 176°F (-20 ~ 80°C)

## COMPLIANCE & REGULATORY APPROVALS

### Safety

- UL Listed 2108 Low Voltage Lighting System / Low Voltage Luminaire. UL 1598 / CSA 250.0-08, UL 8750. UL 879 / CAN/CSA-C22.2 no. 207-M89. Certified for United States and Canada. File # E469769.
- CE & EMC Compliant

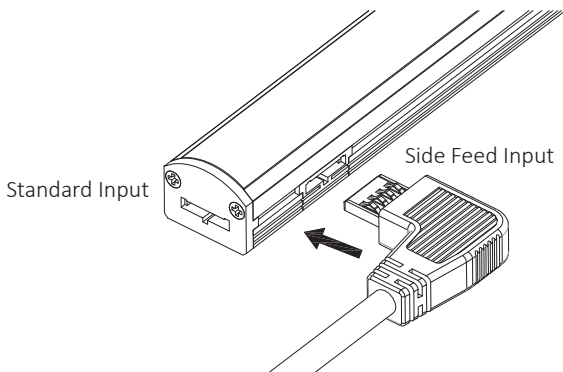
### Environmental

- RoHS Compliant: Verification No. CANEC1610091501

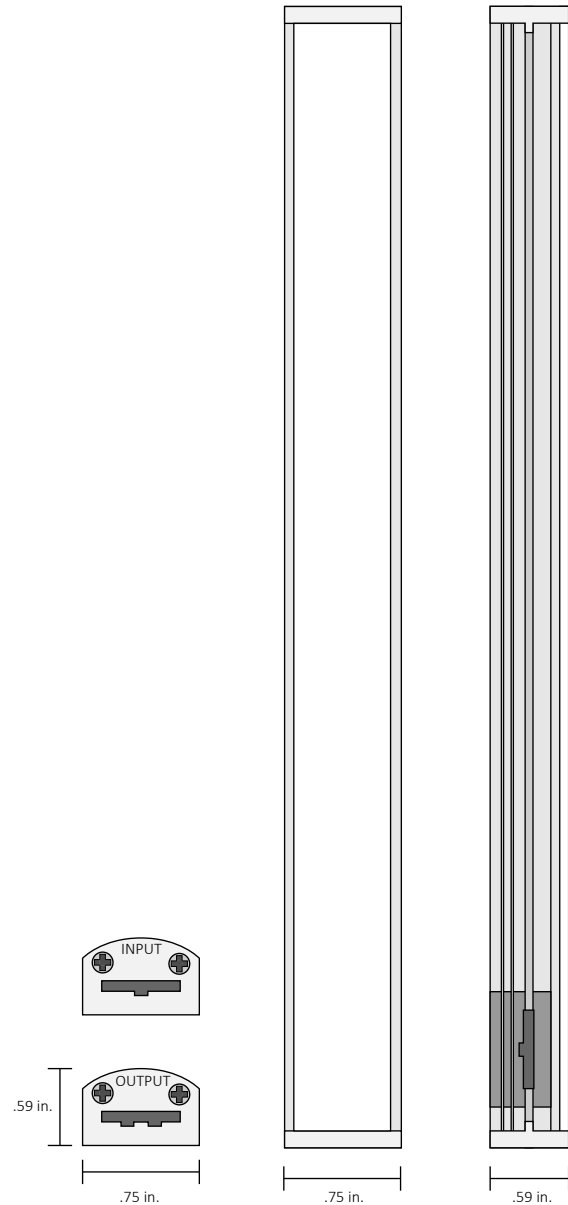
### Performance

- LED chip data measured in accordance to IES LM-80-08.

## SIDEFEED DETAIL





## MECHANICAL DIAGRAM



1. LED chips have a luminous flux range with a tolerance of +/- 5%.
2. Actual efficacy value is dependent to specified LED driver (power supply). An estimated efficacy value can be calculated as follows: Lumen value divided by average power consumption per foot.
3. Each maximum run requires a dedicated power feed from the driver. Do not extend beyond the recommended maximum run length.
4. Do not install in environment where LED chips are exposed to direct sunlight as damage to the phosphor will occur. NEC definition of damp location: Locations protected from weather and not subject to saturation with water or other liquids but subject to moderate degrees of moisture. Examples of such locations include partially protected areas under canopies, marquees, roofed open porches, and like locations. Interior locations subject to moderate degrees of moisture are also acceptable, such as some basements, some barns, and some cold-storage warehouses.
5. Wire leads and accessories are not rated for in-wall installation unless otherwise noted. Attached wire leads and connections are field-cuttable.
6. Do not install product in an environment that exceeds the maximum ambient temperature. Exceeding the maximum ambient temperature may damage LED chips, reduce the total lamp life, lumen output, and/or adversely impact color consistency.
7. Operating temperature is measured according to the minimum and maximum ambient temperature environment.

# ACCESSORIES

## TRU-LINK® LIGHT BAR INLINE CONTROLLERS

SKU	DESCRIPTION	
DI-TR-TD-**	<p><b>TRU-LINK® INLINE TOUCH DIMMER</b></p> <p>Inline Dimmer which attaches to TRU-LINK® LED Light Bar allowing dimming through the touch of a finger. Dimensions: 2.17 x 0.75 x 0.59 in. (L x W x H)</p>	
DI-TR-MS-**	<p><b>TRU-LINK® INLINE OCCUPANCY SENSOR</b></p> <p>Inline Switch which attaches to TRU-LINK® LED Light Bar allowing On/Off switching using motion. Dimensions: 2.48 x 0.75 x 0.7 in. (L x W x H)</p>	

\*\* Available in Black or Silver. Add a **BK** for Black or **SV** for Silver.

## TRU-LINK® LIGHT BAR CONNECTORS

SKU	DESCRIPTION	
DI-TR-ETE	<p><b>TRU-LINK® LINKABLE END-TO-END CONNECTOR</b></p> <p>.43 inch wide connector attaches two TRU-LINK® LED Light Bars together end-to-end. Dimensions: 0.91 x 0.43 x 0.14 in. (L x W x H)</p>	
DI-TR-PWR-DC-* (12 in.)	<p><b>TRU-LINK® DC PLUG CONNECTOR</b></p> <p>.43 inch wide connector attaches the TRU-LINK® LED Light Bar to a DC Plug-In Adapter. Wire: 22/4 AWG Dimensions: 12 x 0.43 x 0.14 in. (L x W x H)</p>	
DI-TR-PWR-TB-* (12 in.)	<p><b>TRU-LINK® TERMINAL BLOCK CONNECTOR</b></p> <p>.43 inch wide connector attaches to the TRU-LINK® LED Light Bar allowing a hard-wired connection. Wire: 22/4 AWG Dimensions: 12 x 0.43 x 0.14 in. (L x W x H)</p>	
DI-TR-PWRSF-DC-* (12 in.)	<p><b>TRU-LINK® RIGHT ANGLE DC PLUG CONNECTOR</b></p> <p>Using the side feed connection, this .43 inch wide connector attaches the TRU-LINK® LED Light Bar to a DC Plug-In Adapter. Wire: 22/4 AWG Dimensions: 12 x 0.43 x 0.14 in. (L x W x H)</p>	
DI-TR-PWRSF-TB-* (12 in.)	<p><b>TRU-LINK® RIGHT ANGLE TERMINAL BLOCK CONNECTOR</b></p> <p>Using the side feed connection, this .43 inch wide connector attaches to the TRU-LINK® LED Light Bar allowing a hard-wired connection. Wire: 22/4AWG Dimensions: 12 x 0.43 x 0.14 in. (L x W x H)</p>	
DI-TR-12BX-* (12 in.)	<p><b>TRU-LINK® BENDING EXTENSION</b></p> <p>.43 inch wide connector attaches one TRU-LINK® LED Light Bar to another. Wire: 22/4 AWG Dimensions: 12 x 0.43 x 0.14 in. (L x W x H)</p>	

\* Available in Black or White. Add a **B** for Black or **W** for White.



# ACCESSORIES CONT.

## DC PLUG ACCESSORIES

SKU	DESCRIPTION	
DI-PVC2464-DL42-SPL-M-*	<b>ADAPTER SPLICE CABLE - MALE</b> Helps provide a hard-wire connection between TRU-LINK® LED Light Bar, and a hard-wire driver. Wire: 18/2 AWG Dimensions: 42 x 0.45 in. (L x Dia)	
DI-PVC2464-DL42-SPL-F-*	<b>ADAPTER SPLICE CABLE - FEMALE</b> Helps provide a hard-wire connection between LED lighting and a DC adapter. Wire: 18/2 AWG Dimensions: 42 x 0.45 in. (L x Dia)	
DI-0708-* (39 in. White)	<b>39 IN. DC EXTENSION CABLE - WHITE</b> Creates an extension between accessories featuring DC Plugs. Wire: 18/2 AWG. Dimensions: 39.4 x 0.45 in. (L x Dia)	
DI-0708B-* (39 in. Black)	<b>39 IN. DC EXTENSION CABLE - BLACK</b> Creates an extension between accessories featuring DC Plugs. Wire: 18/2 AWG. Dimensions: 39.4 x 0.45 in. (L x Dia)	
DI-0720-* (2-way) DI-0705-* (3-way) DI-DCSP4-* (4-way) DI-0707-* (5-way)	<b>DC SPLITTER CABLE - WHITE</b> Splits power from a plug-in adapter to multiple Male DC Plugs. Wire: 22/2 AWG. Dimensions: 8.0 x 0.45 in. (L x Dia)	
DI-0720B-* (2-way) DI-0705B-* (3-way) DI-0707B-* (5-way)	<b>DC SPLITTER CABLE - BLACK</b> Splits power from a plug-in adapter to multiple Male DC Plugs. Wire: 22/2 AWG. Dimensions: 8.0 x 0.45 in. (L x Dia)	

\* Available in packs of 5, or 25. Add a **5** for a pack of 5, or **25** for a pack of 25.



## TRU-LINK® LIGHT BAR MOUNTING CLIPS

SKU	DESCRIPTION	
DI-TR-MCLIP-*	<b>TRU-LINK® MOUNTING CLIP</b> Mounting Clip used for attaching TRU-LINK® bars directly to a surface. Dimensions: 2.17 x 0.75 x 0.59 in. (L x W x H)	
DI-TR-45CLIP-*	<b>TRU-LINK® 45° MOUNTING CLIP</b> Mounting Clip used for attaching TRU-LINK® bars at a 45° angle from a surface. Dimensions: 2.48x 0.75 x 0.7 in. (L x W x H)	


\* Available in Black or Silver. Add a **B** for Black or **S** for Silver.

# ACCESSORIES CONT.


## WIRE MANAGEMENT CLIPS & FASTENERS (Optional)

SKU	DESCRIPTION	
DI-WM-WF (10 pack)	<b>WIRE FASTENER (10 PK)</b> Use with 16/2, 18/2, 20/2, 20/3, 20/4, and 20/5 AWG UL 2464 wire. Dimensions: 0.94 x 0.30 x 0.20 in. (L x W x H)	
DI-WM-JC (10 pack)	<b>J-Clip (10 PK)</b> Use with CL2 cable, RJ45 (Ethernet cord), XLR cables, and AC power cords. Also can be used with 16/2, 18/2, 20/2, 20/3, 20/4, and 20/5 AWG UL 2464 wire. Dimensions: 0.87 x 0.39 x 0.35 in. (L x W x H)	

## COMMERCIAL-GRADE MINI JUNCTION BOX (Optional)

SKU	DESCRIPTION	
DI-JBOX-IND	<b>INDOOR MINI JUNCTION BOX</b> Make low voltage splices with the mini junction box. Dimensions: 2.60 x 1.40 x 0.90 in. (L x W x H)	

## MULTI-CONDUCTOR WIRE (Optional)

SKU	DESCRIPTION	
DI-PVC2464-182MCW-**	<b>UL AWM 2464 18/2 WIRE</b>	
DI-PVC2464-202MCW-**	<b>UL AWM 2464 20/2 WIRE</b>	

\*\* Available by the foot or 250 ft. spools. Add a **001 + (quantity)** for footage, or **250** for a 250 ft. spool.

# LED DRIVERS (Required)

The following Listed LED Drivers are recommended to meet NEC code when installed according to specifications. For additional LED Driver options see Diode LED's product page at: <https://www.diodeled.com/products/led-power-supplies.html>

## LO-PRO® JUNCTION BOX & DRIVER COMBO - 24V CONSTANT VOLTAGE LED DRIVER

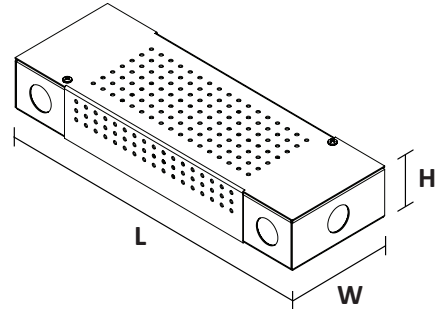
Use Constant Voltage Drivers to power your TRU-LINK® LED Light Bars. Compatible with Standard 120VAC On/Off Switches, REIGN® 24V Low Voltage Dimmers, TOUCHDIAL™ Control System, DMX Decoders, and PWM Controls.

Voltage & Power  
Output



- 0970-LPS** - 24V 35W
- CV-MW24V60W-277-LPS** - 24V 60W
- CV-MW24V90W-277-LPL** - 24V 90W
- 0954-LPL** - 24V 96W

SKU	L - LENGTH	W - WIDTH	H - HEIGHT
<b>DI-0970-LPS</b>	11.25 in.	3.75 in.	1.90 in.
<b>DI-CV-MW24V60W-277-LPS</b>	11.25 in.	3.75 in.	1.90 in.
<b>DI-CV-MW24V90W-277-LPL</b>	11.25 in.	3.75 in.	1.90 in.
<b>DI-0954-LPL</b>	13.5 in.	4.5 in.	2.37 in.



## LO-PRO® JUNCTION BOX & DRIVER COMBO - 24V COMMERCIAL GRADE 0-10V LED DIMMABLE DRIVER

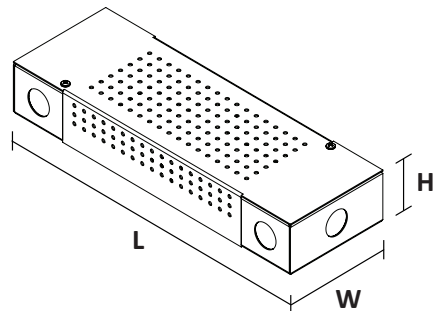
Compatible with 0-10V controls and dimmer systems.

Voltage & Power  
Output



- MW24V60W** - 24V 60W
- MW24V90W** - 24V 90W
- LPS** - Lo-Pro Small
- LPL** - Lo-Pro Large

SKU	L - LENGTH	W - WIDTH	H - HEIGHT
<b>DI-DM-MW-24V60W-0-10V-LPS</b>	11.25 in.	3.75 in.	1.90 in.
<b>DI-DM-MW-24V90W-0-10V-LPL</b>	13.5 in.	4.5 in.	2.37 in.



# LED DRIVERS CONT. (Required)

The following Listed LED Drivers are recommended to meet NEC code when installed according to specifications. For additional LED Driver options see Diode LED's product page at: <https://www.diodeled.com/products/led-power-supplies.html>

## OMNIDRIVE® 2 ELECTRONIC DIMMABLE LED DRIVER

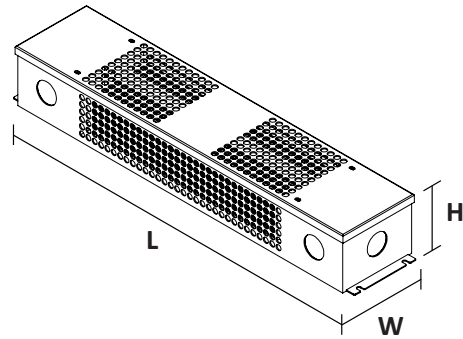
OMNIDRIVE 2 features a zero minimum load and 100-5% dimming range. Compatible with Forward Phase and Reverse Phase Dimmers.

Voltage & Power  
Output



- 24V24W** - 24V 24W
- 24V60W** - 24V 60W
- 24V96W** - 24V 96W
- 24V120W** - 24V 120W
- 24V200W** - 24V 200W

SKU	L - LENGTH	W - WIDTH	H - HEIGHT
DI-OD2-24V24W	13.75 in.	3.00 in.	1.60 in.
DI-OD2-24V60W	13.75 in.	3.00 in.	1.60 in.
DI-OD2-24V96W	15.00 in.	3.10 in.	2.40 in.
DI-OD2-24V120W	15.00 in.	3.10 in.	2.40 in.
DI-OD2-24V200W	16.10 in.	3.40 in.	2.40 in.



## LUTRON® Hi-lume 1% LED DIMMABLE DRIVER

Hi-lume 1% LED driver has a minimum load of 5W and Dims from 100-1%.

Voltage & Power  
Output

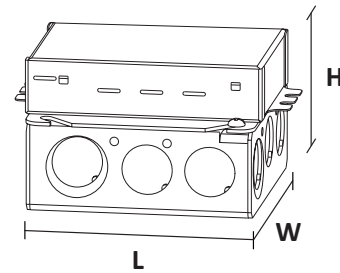
3-Wire or 2-Wire Dimmers



**24V40W** - 24V 40W

- L3D** - Lutron Hi-lume 1% EcoSystem /3-Wire Voltage LED Driver
- LTE** - Lutron Hi-lume 1% 2-Wire LED Driver (120V Forward Phase Only)

SKU	L - LENGTH	W - WIDTH	H - HEIGHT
DI-DM-24V40W-L3D	4.89 in.	4.00 in.	2.62 in.
DI-DM-24V40W-LTE			



## LUTRON® Hi-lume Premier 0.1% LED DIMMABLE DRIVER

Hi-Lume Premier 0.1% LED driver has a minimum load of 5W and Dims from 100-0.1%.

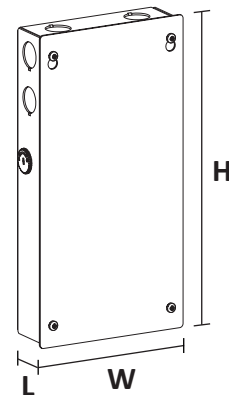
Voltage & Power  
Output



**24V96W** - 24V 96W

- L3D** - Lutron Hi-lume Premier 0.1% EcoSystem/3-Wire LED Driver

SKU	L - LENGTH	W - WIDTH	H - HEIGHT
DI-DM-24V96W-L3D	5.50 in.	2.20 in.	10.50 in.



# LED DRIVERS CONT. (Required)

The following Listed LED Drivers are recommended to meet NEC code when installed according to specifications. For additional LED Driver options see Diode LED's product page at: <https://www.diodeled.com/products/led-power-supplies.html>

## PLUG-IN ADAPTERS

Plug-In Adapters allow for a simple installation by plugging into a standard 120-Volt receptacle. Compatible with inline Switches and Dimmers.

Voltage & Power  
Output

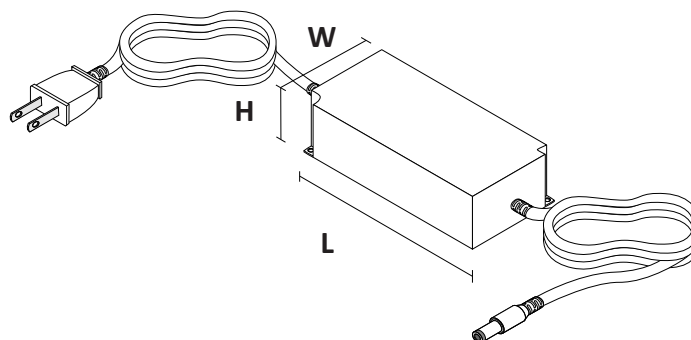
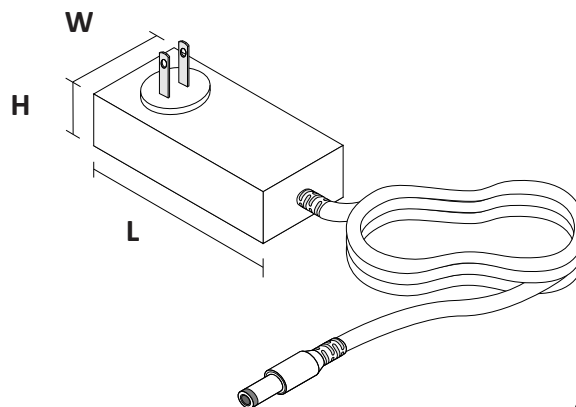
DI	PA-24V12W-CL2-*
----	-----------------

PA-24V12W-CL2-\* - 24V 12W  
 PA-24V24W-CL2-\* - 24V 24W  
 PA-24V48W-CL2-\* - 24V 48W  
 PA-24V96W-CL2-\* - 24V 96W

SKU	L - LENGTH	W - WIDTH	H - HEIGHT
DI-PA-24V12W-CL2-*	2.35 in.	1.75 in.	1.40 in.
DI-PA-24V24W-CL2-*	3.80 in.	1.75 in.	1.40 in.

SKU	L - LENGTH	W - WIDTH	H - HEIGHT
DI-PA-24V48W-CL2-*	4.70 in.	2.00 in.	1.25 in.
DI-PA-24V96W-CL2-*	4.70 in.	2.00 in.	1.25 in.

\* Available in Black or White. Add a **B** for Black or **W** for White.



## COMMERCIAL GRADE PLUG-IN DRIVER

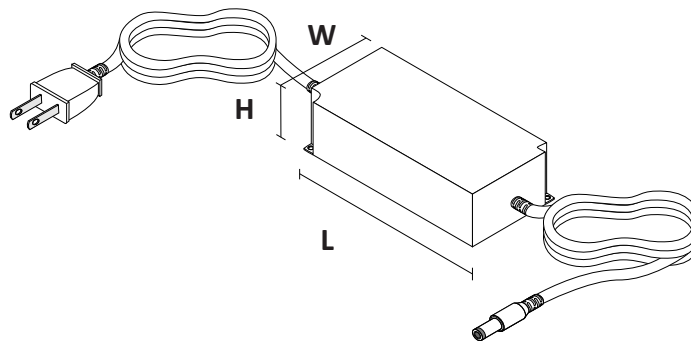
Plug-In Adapters allow for a simple installation by plugging into a standard 120-Volt receptacle. Compatible with inline Switches and Dimmers.

Voltage & Power  
Output

DI	CV-24V90W-OWA
----	---------------

CV-24V90W-OWA - 24V 90W

SKU	L - LENGTH	W - WIDTH	H - HEIGHT
DI-CV-24V90W-OWA	6.75 in.	2.50 in.	1.50 in.





# LED DRIVERS CONT. (Required)

The following Listed LED Drivers are recommended to meet NEC code when installed according to specifications. For additional LED Driver options see Diode LED's product page at: <https://www.diodeled.com/products/led-power-supplies.html>

## MAGNETIC DIMMABLE DRIVERS

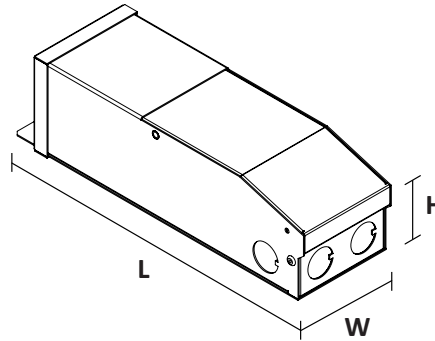
Compatible with 120VAC MLV (Magnetic Low Voltage) Dimmer Switches

Voltage & Power  
Output

<b>DI</b>	<b>DM-24V40W</b>
-----------	------------------

- DM-24V40W** - 24V 40W
- 0956** - 24V 96W
- DM-24V192W-MT** - 24V 192W (2x 96W Taps)
- DM-24V200W** - 24V 200W
- DM-24V288W-MT** - 24V 288W (3x 96W Taps)
- DM-24V300W** - 24V 300W

SKU	L - LENGTH	W - WIDTH	H - HEIGHT
<b>DI-DM-24V40W</b>	5.60 in.	2.00 in.	2.14 in.
<b>DI-0956</b>	6.55 in.	2.25 in.	2.55 in.
<b>DI-DM-24V192W-MT</b>	9.8 in.	4.2 in.	3.2 in.
<b>DI-DM-24V200W</b>	9.80 in.	3.00 in.	3.00 in.
<b>DI-DM-24V288W-MT</b>	9.80 in.	4.20 in.	3.20 in.
<b>DI-DM-24V300W</b>	9.80 in.	4.20 in.	3.20 in.



## MAGNETIC DIMMABLE DRIVERS (277VAC INPUT)

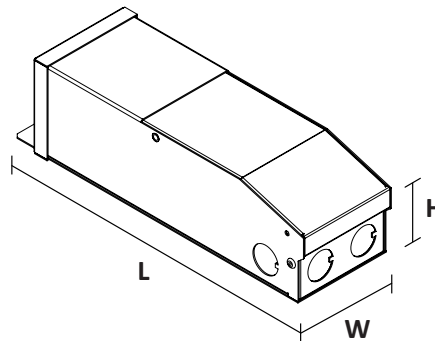
Compatible with 277VAC MLV (Magnetic Low Voltage) Dimmer Switches

Voltage & Power  
Output

<b>DI</b>	<b>DM-24V20W-277</b>
-----------	----------------------

- DM-24V20W-277** - 24V 20W
- DM-24V40W-277** - 24V 40W
- DM-24V96W-277** - 24V 96W
- DM-24V200W-277** - 24V 200W
- DM-24V300W-277** - 24V 300W

SKU	L - LENGTH	W - WIDTH	H - HEIGHT
<b>DI-DM-24V20W-277</b>	5.60 in.	2.00 in.	2.14 in.
<b>DI-DM-24V40W-277</b>	5.60 in.	2.00 in.	2.14 in.
<b>DI-DM-24V96W-277</b>	9.80 in.	3.00 in.	3.00 in.
<b>DI-DM-24V200W-277</b>	9.80 in.	4.20 in.	3.50 in.
<b>DI-DM-24V300W-MT</b>	9.80 in.	4.20 in.	3.50 in.



## ADDITIONAL INFORMATION

- TRU-LINK® LED Light Bar Installation Guide

## SAFETY / WARNINGS / DISCLOSURES

1. Install in accordance with national and local electrical code regulations.
2. This product is intended to be installed and serviced by a qualified, licensed electrician.
3. Only install with a Class 2 DC Constant Voltage LED driver.
4. Only use copper wiring. Use wires rated for at least 176°F (80°C) and certified for use with external connection of electrical equipment.
5. Each maximum run requires a dedicated power feed from the driver. Do not extend beyond the recommended maximum run length.
6. TRU-LINK® LED Light Bars, attached wire leads, and additional extension cables, connectors, etc., are not rated for in-wall installation unless otherwise noted.
7. Ensure applicable wire is installed between driver, fixture, and any controls in-between. When choosing wire, factor in voltage drop, amperage rating, and type (in-wall rated, wet location rated, etc.). Inadequate wire installation could overheat wires, and cause fire.
8. Do not install in environment where LED chips are exposed to direct sunlight as damage to the phosphor will occur.
9. Do not install in environment where excessive heat may exist (ex. close proximity to fireplace, etc.) See Ambient Temperature ratings
10. Do not install indoor TRU-LINK® LED light bars, or attached wire leads in outdoor / wet location environments.
11. Do not modify product beyond instructions or warranty will be void.
12. TRU-LINK® LED light bars must be handled with care. Excessive handling, bending, and pressure may damage the product, voiding the warranty.
13. Actual color may vary from what is pictured on this sheet and other print materials due to the limitations of photographic processes.
14. We reserve the right to modify and improve the design of our fixtures without prior notice. We cannot guarantee to match existing installed fixtures for subsequent orders or replacements in regards to product appearance, CCT, or lumen output.

## WARRANTY

### Limited Warranty

This product has a five (5) year limited warranty from the date of shipment. This warranty does not include the additional accessories referenced in this specification sheet. Complete warranty details for fixtures and additional accessories are available at [www.diodeled.com/limited-warranty/](http://www.diodeled.com/limited-warranty/) within the Policies section. For warranty related questions please contact product support.

### Consumer's Acknowledgment

Elemental LED, Inc. stands behind its products when they are used properly and according to our specifications. By purchasing our products, the purchaser agrees and acknowledges that lighting design, configuration and installation is a complex process, wherein seemingly minor factors or changes in layout and infield adjustments can have a significant impact on an entire system. Choosing the correct components is essential. Elemental LED is able to work with the original purchaser to make an appropriate product selection to the extent of the limited information that the customer can provide, but it is virtually impossible for Elemental LED to design a system that foresees every unknown factor. For this reason, this Warranty does not cover problems caused by improper design, configuration or installation issues. Any statement from an Elemental LED employee or agent regarding a customer's bill of goods and/or purchase order is NOT an acknowledgment that the products purchased are designed and configured correctly. The purchaser agrees and acknowledges that it is the customer's responsibility to adhere strictly to all information contained in the Product Specification Sheets.

There is often more than one way to design, configure and layout an LED lighting application properly to achieve the same lighting effect. Elemental LED strongly recommends that licensed professionals be used in the design and installation of lighting systems that include Elemental LED products. The specifications include important information that a designer and installer should carefully review and strictly follow. Qualified designers and certified and/or licensed installers, with access to the final installation environment, customer goals, and Elemental LED product specifications can make the requisite decisions appropriate for a successful finished lighting application.



© 2018 Elemental LED, Inc. All rights reserved.  
Specifications are subject to change without notice.

Toll Free: 877.817.6028 | Fax: 415.592.1596 | [www.DiodeLED.com](http://www.DiodeLED.com) | [info@DiodeLED.com](mailto:info@DiodeLED.com)

SPEC SHEET | TRU-LINK® 24V LED LIGHT BAR | SS052918-2.0 | 10 OF 10